

ZINCATI
GALVANIZED

GREZZI
MILD STEEL



ACCUMULI INERZIALI E PER ACQUA REFRIGERATA INERTIAL AND CHILLED WATER TANKS

AR / ACR ARO / ACRO

Capacità/Storage: 100 ÷ 10000 lt



MODELLI DISPONIBILI / AVAILABLE MODELS

Modello	Verticale	Orizzontale	Acciaio al carbonio	Zincatura a caldo
AR	•	-	•	•
ACR	•	-	•	-
ARO	-	•	•	•
ACRO	-	•	•	-

Model	Vertical	Horizontal	Carbon steel	Hot-dip galvanized
AR	•	-	•	•
ACR	•	-	•	-
ARO	-	•	•	•
ACRO	-	•	•	-

SERBATOI PER IMPIANTI SEMPLICI

Serbatoi inerziali e per acqua refrigerata progettati soprattutto per essere installati negli impianti di condizionamento e refrigerazione, ed anche in molti impianti di riscaldamento, per aumentarne l'inerzia termica.

SERIE AR (ARO versione orizzontale)

Serbatoio: acciaio al carbonio zincato a caldo

Pressione d'esercizio max: 6 bar

Temperatura d'esercizio: -10°C + 60°C

Coibentazione: poliuretano rigido 30 mm fino a 1000 litri e coibentazione in elastomero espanso a cellula chiusa con funzione anti-condensa spessore 20 mm da 1500 fino a 5000 litri, rivestimento esterno in PVC.

SERIE ACR (ACRO versione orizzontale)

Serbatoio: acciaio al carbonio grezzo, verniciato esternamente

Pressione d'esercizio max: 6 bar

Temperatura d'esercizio: -10°C + 60°C

Coibentazione: poliuretano rigido 30 mm. fino a 1000 litri, elastomero espanso a cellula chiusa con funzione anti-condensa spessore 20 mm da 1500 fino a 10000 litri, rivestimento esterno in PVC.

SINGLE CIRCUIT TANKS

Inertial and storage tanks for chilled water specially designed for heating, conditioning and cooling systems to increase the thermal inertia.

AR SERIES (ARO horizontal version)

Tank: in carbon steel, hot-dip galvanized

Max working pressure: 6 bar

Working temperature: -10°C + 60°C

Insulation: 30 mm. rigid polyurethane up to 1000 liters, 20 mm. closed-cells elastomeric foam preventing the development of condensate from 1500 to 5000 liters. Outer jacket in PVC.

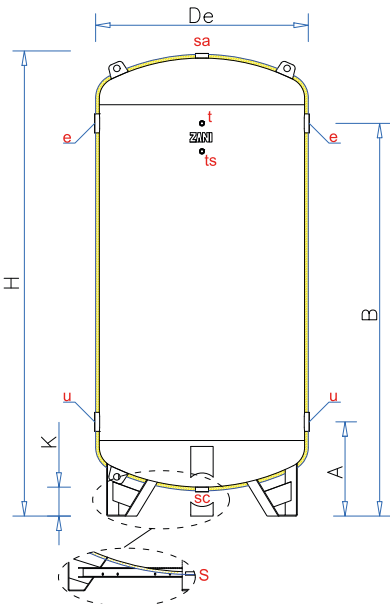
ACR SERIES (ACRO horizontal version)

Tank: in mild steel, externally painted

Max working pressure: 6 bar

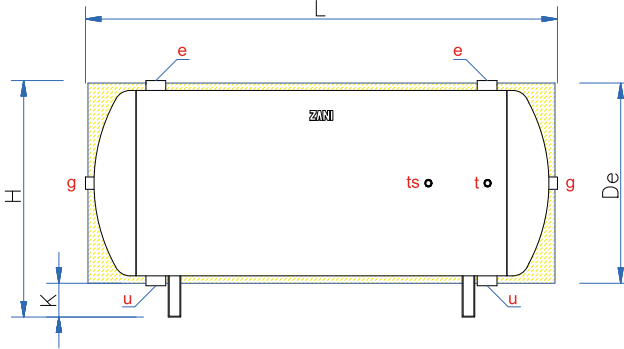
Working temperature: -10°C + 60°C

Insulation: 30 mm. rigid polyurethane up to 1000 liters, 20 mm. closed-cells elastomeric foam preventing the development of condensate from 1500 to 10000 liters. Outer jacket in PVC.



e u t ts S ENTRATA ACQUA USCITA ACQUA CONNESSIONE TERMOMETRO 1/2" CONNESSIONE TERMOSTATO 1/2" BASAMENTO SOLO PER ACR-60÷100

e u t ts S WATER FEED WATER OUTLET THERMOMETER CONNECTION 1/2" THERMOSTAT CONNECTION 1/2" BASEMENT FOR ACR-60 ÷ ACR-100 ONLY



Connessioni Flangiate su richiesta

Flanged connections on request

AR/ACR-1 ÷ AR/ACR-100

DATI TECNICI / TECHNICAL FEATURES

Modello	Litri	Ø attacchi	
		e-u	sa-sc
AR ACR-1	100	1"1/2	1"1/4
AR ACR-2	200	1"1/2	1"1/4
AR ACR-3	300	2"	1"1/4
AR ACR-5	500	3"	1"1/4
AR ACR-8	800	3"	1"1/2
AR ACR-10	1000	3"	1"1/2
AR ACR-15	1500	3"	2"
AR ACR-20	2000	3"	2"
AR ACR-25	2500	4"	2"
AR ACR-30	3000	4"	2"
AR ACR-40	4000	4"	2"
AR ACR-50	5000	4"	2"
ACR-60	6000	4"	2"
ACR-80	8000	4"	2"
ACR-100	10000	4"	2"

Model	Litres	Ø connections	
		e-u	sa-sc

ARO ACRO-1 ÷ ARO ACRO-50

DIMENSIONI / DIMENSIONS

Modello	D	H	K	A	B
AR ACR-1	460	950	125	290	760
AR ACR-2	510	1335	120	290	1040
AR ACR-3	610	1425	130	365	1065
AR ACR-5	710	1715	135	385	1435
AR ACR-8	850	1740	125	395	1445
AR ACR-10	900	2026	120	410	1710
AR ACR-15	1040	2160	165	500	1800
AR ACR-20	1140	2480	155	505	2105
AR ACR-25	1290	2275	180	565	1865
AR ACR-30	1290	2775	180	565	2365
AR ACR-40	1440	2845	160	590	2390
AR ACR-50	1640	2845	140	600	2400
ACR-60	1840	2175	140	615	2215
ACR-80	1840	3415	140	615	2915
ACR-100	1840	4165	140	615	3665

Model	D	H	K	A	B
-------	---	---	---	---	---

IMBALLO mm / PACKING mm

Modello	Altezza	Larghezza	Profondità	Peso kg	
				AR	ACR
AR ACR-1	1070	490	490	25	24
AR ACR-2	1460	540	540	37	36
AR ACR-3	1550	640	640	48	46
AR ACR-5	1840	740	740	81	78
AR ACR-8	1860	880	880	110	105
AR ACR-10	2150	940	940	135	129
AR ACR-15	2280	1070	1070	192	182
AR ACR-20	2600	1170	1170	264	250
AR ACR-25	2340	1320	1320	281	267
AR ACR-30	2900	1320	1320	331	314
AR ACR-40	2970	1470	1470	496	470
AR ACR-50	3000	1670	1670	587	557
ACR-60	2040	2030	2820	-	647
ACR-80	2040	2030	3520	-	782
ACR-100	2040	2030	4270	-	927

Model	Height	Width	Depth	Weight kg	
				AR	ACR

DATI TECNICI / TECHNICAL FEATURES

Modello	Litri	Ø attacchi	
		e-u	g
ARO ACRO-1	100	1"1/2	1"1/4
ARO ACRO-2	200	1"1/2	1"1/4
ARO ACRO-3	300	2"	1"1/4
ARO ACRO-5	500	3"	1"1/4
ARO ACRO-8	800	3"	1"1/2
ARO ACRO-10	1000	3"	1"1/2
ARO ACRO-15	1500	3"	1"1/2
ARO ACRO-20	2000	3"	1"1/2
ARO ACRO-25	2500	4"	1"1/2
ARO ACRO-30	3000	4"	1"1/2
ARO ACRO-40	4000	4"	1"1/2
ARO ACRO-50	5000	4"	1"1/2

Model	Litres	Ø connections	
		e-u	g

DIMENSIONI / DIMENSIONS

Modello	D	H	K	L
ARO ACRO-1	460	546	125	850
ARO ACRO-2	510	596	120	1240
ARO ACRO-3	610	715	140	1320
ARO ACRO-5	710	875	190	1600
ARO ACRO-8	850	1015	190	1642
ARO ACRO-10	900	1075	190	1932
ARO ACRO-15	1040	1275	190	2010
ARO ACRO-20	1140	1335	200	2356
ARO ACRO-25	1290	1460	225	2416
ARO ACRO-30	1290	1510	225	2626
ARO ACRO-40	1440	1660	225	2716
ARO ACRO-50	1640	1660	225	2776

Model	D	H	K	L
-------	---	---	---	---

IMBALLO mm / PACKING mm

Modello	Altezza	Larghezza	Profondità	Peso Kg	
				AR	ACR
ARO ACRO-1	660	470	880	27	26
ARO ACRO-2	716	520	1270	40	39
ARO ACRO-3	825	620	1350	52	50
ARO ACRO-5	995	720	1630	86	83
ARO ACRO-8	1135	860	1670	117	112
ARO ACRO-10	1195	920	1960	143	137
ARO ACRO-15	1395	1070	2040	202	192
ARO ACRO-20	1455	1170	2390	276	262
ARO ACRO-25	1690	1320	2150	295	281
ARO ACRO-30	1630	1320	266	346	329
ARO ACRO-40	1780	1470	2750	513	487
ARO ACRO-50	1800	1670	2800	605	575

Model	Height	Width	Depth	Weight kg	
				AR	ACR